



Terms & Conditions

Updated: 11 September 2024

THE EVENT

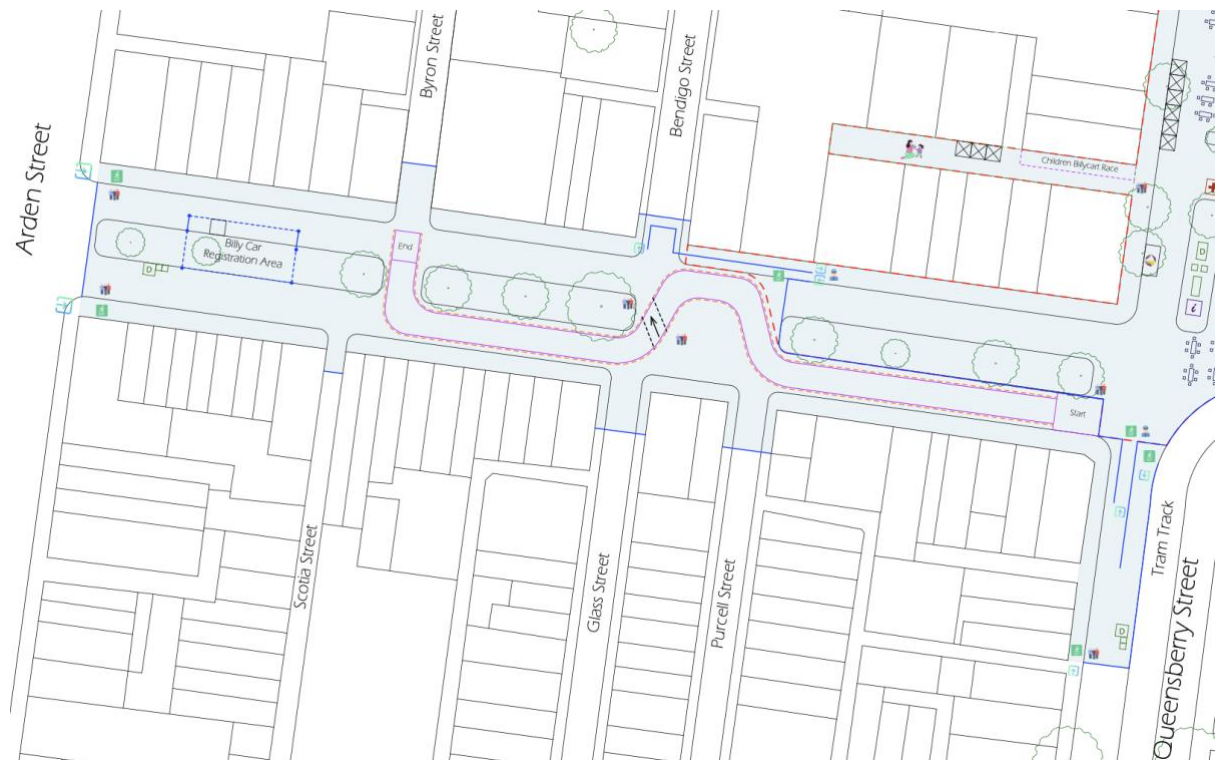
The Queensberry Cup Billycart Challenge is produced by North & West Melbourne Neighbourhood Centre, with the assistance of many volunteers from the local community.

THE COURSE

The course is very similar to the 2023 course.

Racers start on Errol St., north of Queensberry St. The course travels down the left-hand side of the road on Errol St., then curves onto the right-hand side, then back onto the left-hand side. After a straight section, there is a sharp right-hand turn between two grass verges, after which there is the

stopping zone. The length of the course is approximately 166m. The course requires steering and braking. The slope is approximately 3.6%, significant, but not too scary.



START

There will be a small ramp with a holding gate. The cart gets placed on the ramp with its front against the starting gate. The driver enters the cart and lets the starting marshal know they are ready by saying "Ready".

When both drivers are ready, the starting marshal says "Ready... Set..."

On "Go", the race marshal will sound a horn and drop the holding gate for both drivers.

Drivers must stay in their lane for the first ~30 metres.

FINISH

The winner will be the first cart that comes to a complete stop entirely within the Finish Zone (approximately 5m x 5m).

CATEGORIES

- Open (Competitive) (for fast carts)
- Open (Community) (for not as fast carts)
- 7 to 11 year olds
- 12 to 17 year olds

- Corporate or Political (can race in any of the above categories, depending on age of the driver)

Date of birth as at October 19, 2024

Each individual entrant can enter a category only once. An individual entrant can enter more than one category if they meet the criteria for both (eg. an 8 year old can enter both 7-11 age category and Open category).

Each vehicle can be driven by three separate entrants (in any categories, depending on the age of the driver)

PRIZES

- Open (Competitive) Category:
 - 1st Prize: \$500 gift card to spend at local businesses plus trophy
 - 2nd Prize: \$200 Bunnings gift voucher
 - 3rd Prize: Sublime \$100 gift voucher
- Open (Community) Category:
 - 1st Prize: \$500 gift card to spend at local businesses plus trophy
 - 2nd Prize: \$200 voucher for wine and pizza at ReWine
 - 3rd Prize: Mörk Chocolate Gift Box
- 12 to 17 year olds:
 - 1st prize: \$300 gift card to spend at local businesses plus trophy
 - 2nd prize: Complimentary coding or podcasting course at NMWNC (value \$180)
 - 3rd prize: \$50 gift voucher for Woolworths
- 7 to 11 year olds:
 - 1st prize: \$200 gift card to spend at local businesses plus trophy
 - 2nd prize: Large Flo'wn Dessert gift box
 - 3rd prize: Standard Flo'wn Dessert gift box
- Most Creative (all entries automatically entered):
 - \$250 gift card to spend at local businesses
- Corporate: \$1500 local advertising package

ENTRY FEES

Each individual entrant must pay the entry fee described below:

- Open Category: \$200 (reduced to \$50 for those who fundraise \$250 or more)
- 12-17 year olds: \$150 (reduced to \$30 for those who fundraise \$250 or more)
- 7-11 year olds: \$130 (reduced to \$20 for those who fundraise \$250 or more)
- Corporate or Political: \$800 (reduced to \$200 for those who fundraise \$500 or more) (entry fee includes up to three drivers, each driving the same vehicle separately)

FUNDRAISING

In 2024, we are leveraging participation in the Queensberry Cup to draw attention to the charitable work of North & West Melbourne Neighbourhood Centre, and encourage those with financial means to make a financial contribution to this charitable work.

Participants can choose to direct the funds they raise to one of the following program areas:

- Programs that help disadvantaged school children get learning support
- Programs that help local seniors to stay active and connected to their community
- Programs that assist people experiencing food insecurity to have enough to eat
- Programs that assist marginalised men to find a purpose and contribute to the community
- Community events and festivals that help the broader community come together in celebration

Our aim is to raise \$25 000 to assist these causes.

Fundraising is not required. However, it is strongly encouraged and entry to the billycart race is discounted for those who raise in excess of \$250. See our separate [fundraising resources](#) for details of incentives, strategies, connections to businesses and more.

ENTRY DEADLINES

Entries open on 20 August. You are encouraged to enter as soon as possible as there is limited capacity in each category. Online entries close October 17, 2024 at 5pm unless filled prior. Online entries can be submitted at www.trybooking.com.au/CVAVA

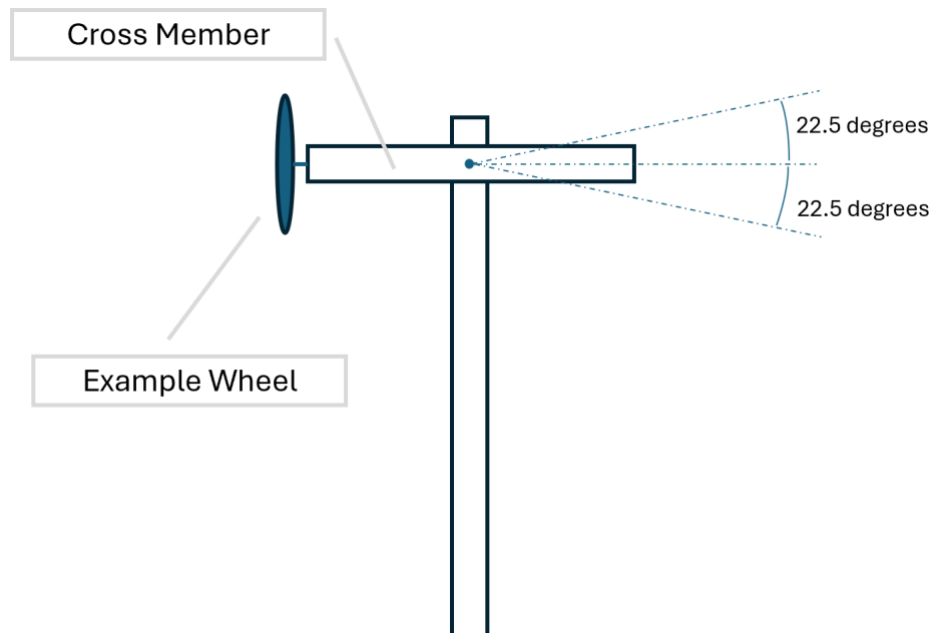
In person entries can be made at The Centre, 58 Errol St. during regular opening hours up until October 17, 2024, unless filled prior. It is not possible to enter on the day.

VEHICLE REQUIREMENTS

All vehicles will undergo scrutineering on race day prior to being allowed on the course to ensure they are safe to race and that they comply with the vehicle requirements as stipulated below.

You can also get your billycart examined by the scrutineers on Saturday 12 October, 10am – 3pm at Smarter Choice Auto, 2/300 Macaulay Road, North Melbourne. This is not the official scrutineering but could help builders adjust their vehicle to be compliant.

- Vehicles must be unpowered. No motor (petrol, electric or otherwise), and no pedal drive vehicles allowed
- Vehicles must have steering. Rope steering is accepted (the cross member must not pivot more than 22.5 degrees in either direction to prevent a pinch point, refer to the following diagram).



- Vehicles must have a minimum of three wheels
- Vehicles must have a brake mechanism that will allow the cart to finish the course safely. The brake mechanism should be easily accessible and safe to use under hard braking. The brakes will be tested during scrutineering in a zone adjacent to the registration area. The zone will allow 10m to accelerate (without a push) and will then require the cart to come to a full stop within a further 3m using the braking system only.
- No sharp exposed edges
- Must be a foot first driving position
- Maximum width 1100mm
- Maximum length 2200mm
- Maximum weight 50kg (without driver)
- Maximum rolling diameter (wheel and tyre) of 550mm

PLEASE NOTE: The head scrutineer has FINAL call over all decisions made. These rules are made for the safety of all concerned and for the integrity of the event.

DRIVER GUIDELINES

- Helmets must be worn. Full face helmets are strongly recommended. Full face helmets will be available at the start line and each racer can opt to wear one of these. Helmets are to be of Australian Standard and can be an approved bicycle or motor bike helmet
- Long sleeves and long pants must be worn
- Gloves must be worn
- Closed shoes must be worn
- No unsecured or loose items allowed in the billycart
- Knee and elbow pads are recommended
- Mouthguards are recommended
- One person per billy cart - no tandems
- The same billy cart can be used by up to three drivers; however each rider must complete a separate entry.

- No bumping into, or otherwise touching, another vehicle or driver allowed.
- No behaviour that could cause injury to another party allowed.

There will be first aid officers on site at all times.

JUDGES AND RACE MARSHALS

All judges and race marshals are volunteers; please treat them with respect.

The race judge has the power to disqualify or penalise a driver, to re-run a heat or final, to make alterations to these terms and conditions, to adjust the schedule or to abandon any part or all of the billycart race. Any such decision will be made in the interests of the event.

The judge's decision is final.

PRACTICE, HEATS AND FINALS

After scrutineering, bilycarts will be required to do one test run. This is to give the driver practice, but also to allow judges to determine if the cart and driver will be able to complete the full course safely in race conditions.

If the judge determines that a cart and driver cannot complete the course, the entrant will get one opportunity to re-submit with alterations to the cart and/or driver.

If the judge still determines that a cart and driver cannot complete the course, they will not progress to the official heats or the final.

Each heat will consist of two drivers.

Each driver will compete in two heats, one commencing in the right lane, the other commencing in the left lane. Times will be recorded. Rank will be determined by the fastest time of the two runs, as long as they have acted within the rules on that run.

The drivers with the four fastest ranks will progress to the finals. Third will compete against fourth to determine minor placings. First will compete against second to determine the winner. Finals will be sudden death (one run only). First cart to come to a complete stop within the finishing zone will be declared the winner of the final, as long as they have acted within the rules.

If the same vehicle progresses to the final more than once (i.e., with different drivers), the driver with the fastest time recorded with that vehicle will be allocated a place in the final, and lower ranked drivers may be elevated to compete in the finals.

When not racing, carts must be left in the designated marshalling area. Carts are only allowed to proceed to the starting line when directed by a race marshall.

SCHEDULE

11am: Marshalling Area Open; Scrutineering Commences

11am: Test Runs

1pm: Heats 7-11 Category

1:45pm: Heats 12-17 Category

2:30pm: Heats Open Category

4:00pm: Finals

5:30pm: Award Presentations

PERMISSIONS

By entering into the Queensberry Cup Billycart Challenge, you agree to the following:

I consent to receive any medical treatment that may be deemed necessary in the case of injury, accident, or illness during the Queensberry Cup Billycart Challenge, and I allow that information to be passed onto the race organisers or third parties (as deemed necessary by the race organisers).

I authorise the use of my name, voice and picture and any information provided by me on this entry form to be used without payment in any broadcast, telecast, communication, promotion, or advertising, and I also agree that the information I have provided may be used by North & West Melbourne Neighbourhood Centre and race organisers for the purpose of promoting future or other events or for the promotion of the Queensberry Cup, associated services and sponsors. I acknowledge I won't have the right to approve any of the material and I do not expect to gain financially from my appearance in the Queensberry Cup.

WAIVER

I understand that entering the Queensberry Cup Billycart Challenge involves inherent risks. I am aware of the hazards involved, including but are not limited to: vehicle traffic, actions of competitors, spectators, race personnel, weather conditions and my physical and mental state of health. In my judgment I am physically and mentally fit and have sufficient competence and experience to participate safely.

In consideration of the acceptance of my entry, I hereby take action for myself, my executors, administrators, heirs, next of kin, successors and assigns as follows: I HEREBY WAIVE, RELEASE AND DISCHARGE from any and all liability for death, disability, personal injury, property damage, property theft and all other foreseeable risks, claims or actions of any kind (including negligence) whatever and however occurring which may arise, at any time, from or in connection with, directly or indirectly, my participation in Queensberry Cup Billycart Challenge the following persons or entities: The race organisers, race officials and personnel, land managers and/or owners, North & West Melbourne Neighbourhood Centre, event sponsors, volunteers, City of Melbourne and all of their respective officers, directors, employees, independent contractors, representatives, agents and volunteers.

I have read and voluntarily sign this Waiver, Release and Liability Discharge Form and explicitly agree to its content.

NOTE: Registrations from Entrants under the age of 18 years must be co-signed by a parent / guardian.

